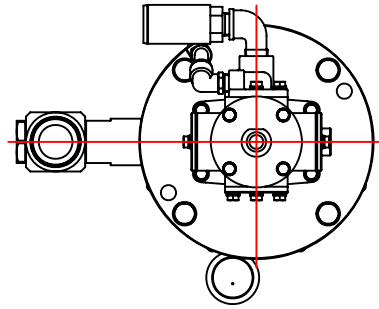
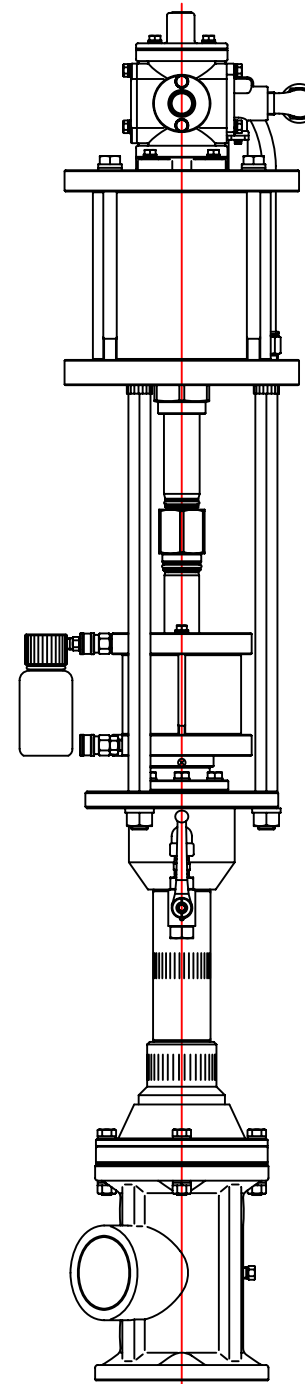
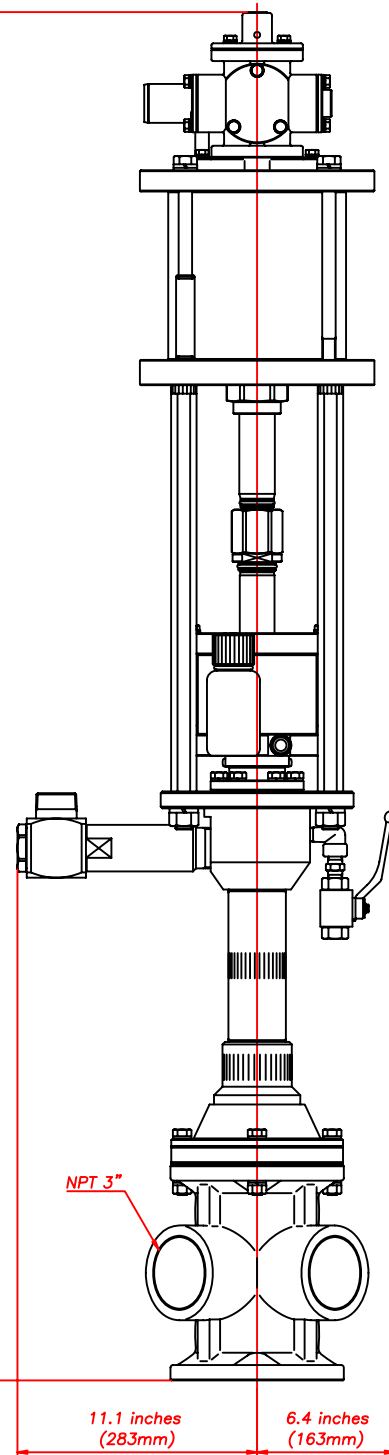


| SYM | CHANGE NO. | DATE | APP'D BY | REV'D BY |
|-----|------------|------|----------|----------|
| | | | | |
| | | | | |
| | | | | |



63.3 inches (1617mm)



NOTE:
ALL DIMENSIONS ARE IN INCHES (MM)

| REV | DATE | DESCRIPTION | APPR'D |
|--|----------|-------------|--------|
| | | | |
| YAMADA AMERICA, INC. 1200 NUCLEAR DRIVE – WEST CHICAGO, ILLINOIS 60185 TOLL FREE 800-990-7867 OR 630-231-4083 | | | |
| THE DWG.OF: | | | |
| INK PUMP UNIT TYPE 200 FOR TOTE | | | |
| THIS IS A CAD DRAWING AND MUST NOT BE ALTERED MANUALLY. | | | |
| SCALE | FREE | DRAWN BY | YJI |
| DATE | 04/18/05 | APPROVED BY | |
| DRAWING NUMBER: | | | REV |
| 881030 | | | 0 |

THIRD
ANG.PROJ.