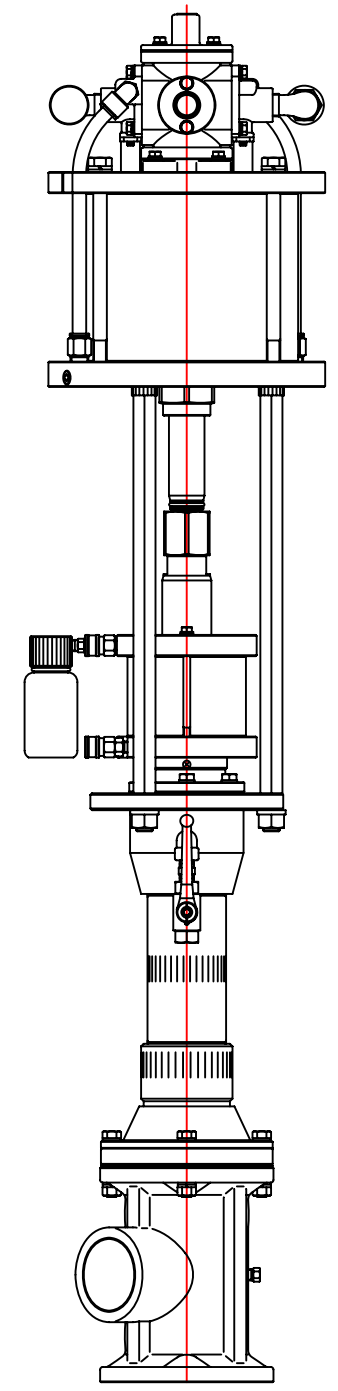
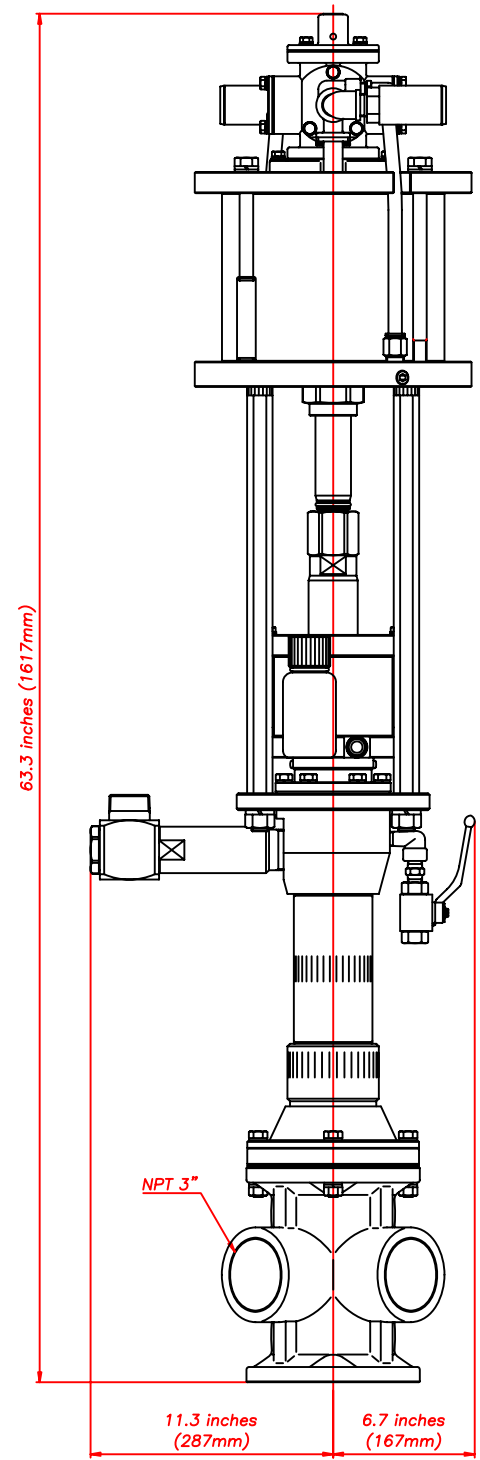
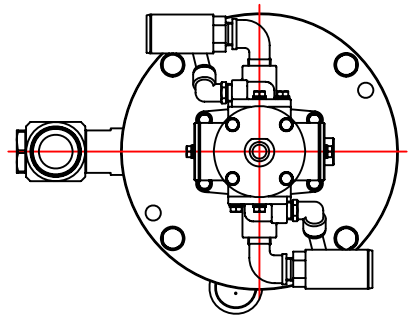


SYM	CHANGE NO.	DATE	APP'D BY	REV'D BY



NOTE:
ALL DIMENSIONS ARE IN INCHES (MM)

REV	DATE	DESCRIPTION	APPR'D

YAMADA AMERICA, INC.
 1200 NUCLEAR DRIVE – WEST CHICAGO, ILLINOIS 60185
 TOLL FREE 800-990-7867 OR 630-231-4083

THE DWG.OF:
 INK PUMP UNIT TYPE 250 FOR TOTE

THIS IS A CAD DRAWING AND MUST NOT BE ALTERED MANUALLY.

SCALE FREE DRAWN BY YJI
 DATE 04/18/05 APPROVED BY _____

DRAWING NUMBER: **881031**

THIRD
ANG.PROJ.

REV
0